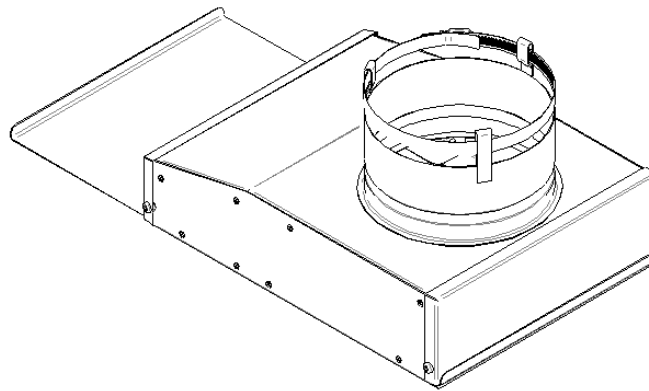




LINER OFFSET ADAPTER **AC01214**

INSTALLATION INSTRUCTIONS



This manual is available for free download on the manufacturer's web site. It is a copyrighted document. Re-sale is strictly prohibited. The manufacturer may update this manual from time to time and cannot be responsible for problems, injuries, or damages arising out of the use of information contained in any manual obtained from unauthorized sources.

IMPORTANT:

Read through all instructions before beginning your installation. It is important that you carefully follow the installation instructions. Failure to install this product as described in these instructions will void the manufacturer's warranty and may cause fire, injury or even death. Keep these instructions for future reference.

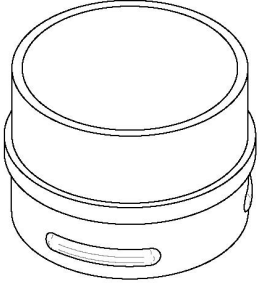
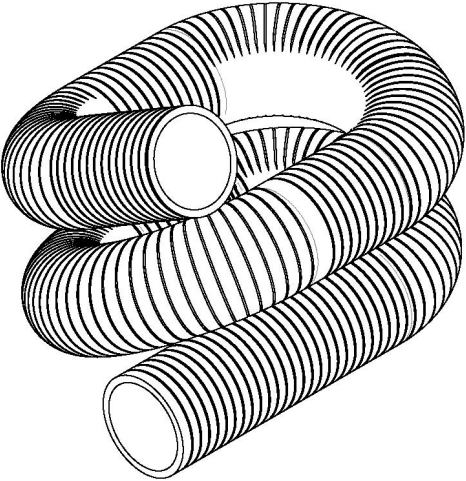
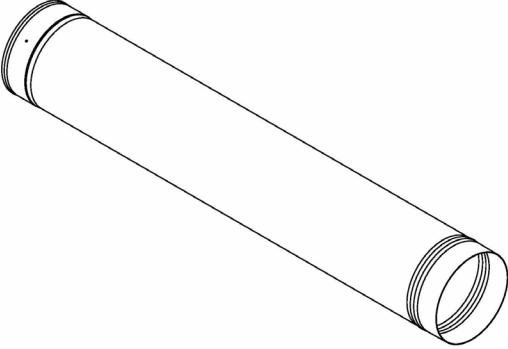
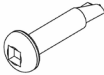
Each vent system must be properly designed and installed to enable optimal performance and safety. Refer to the appliance manufacturer's instructions to determine the requirements and limitations with respect to installation and use of the appliance. It is the responsibility of the installer to contact local building and fire officials concerning any installation restrictions and/or inspection requirements that may apply when not specified in the appliance instruction manual.

It is not recommended to add any other offset when installing this adapter. Doing so could influence the draft significantly and reduce the efficiency of your appliance. The chimney system should have as little restriction as possible. Once the installation is completed, your chimney should have a minimum height of 15 feet (4.5 m). Note that in order to ensure optimal draft, it is possible that you need to add some extra lengths to your chimney.

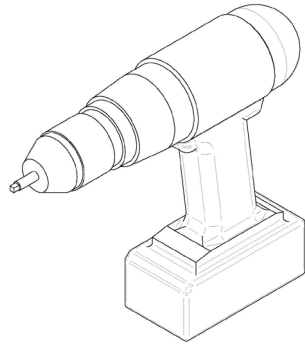


IMPORTANT: The use of a firescreen is strongly discouraged when an offset is installed on the chimney system of an appliance. The restriction that the offset could cause increases the risk of smoke emanating from the door. For all other restrictions related to the installation of a firescreen, please consult the instruction sheet supplied with this option

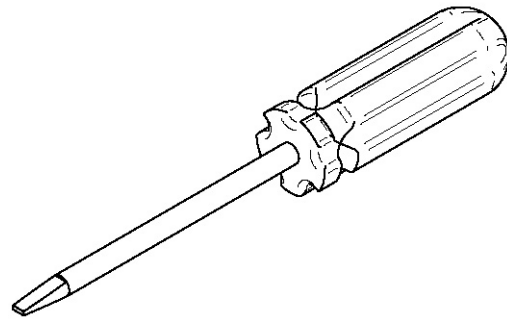
Required accessories to complete your installation (not included):

<p>1x</p>	<p>Flexible chimney liner adapter (Provided by the flexible liner's manufacturer. Unnecessary with rigid chimney liner)</p>	
<p>1x</p>	<p>Flexible stainless steel chimney liner OR Rigid stainless steel chimney liner (Variable length)</p>	 <p style="text-align: center;">Flexible chimney liner</p>  <p style="text-align: center;">Rigid chimney liner</p>
<p>3x</p>	<p>Self-tapping screws</p>	

Tools required for installation:

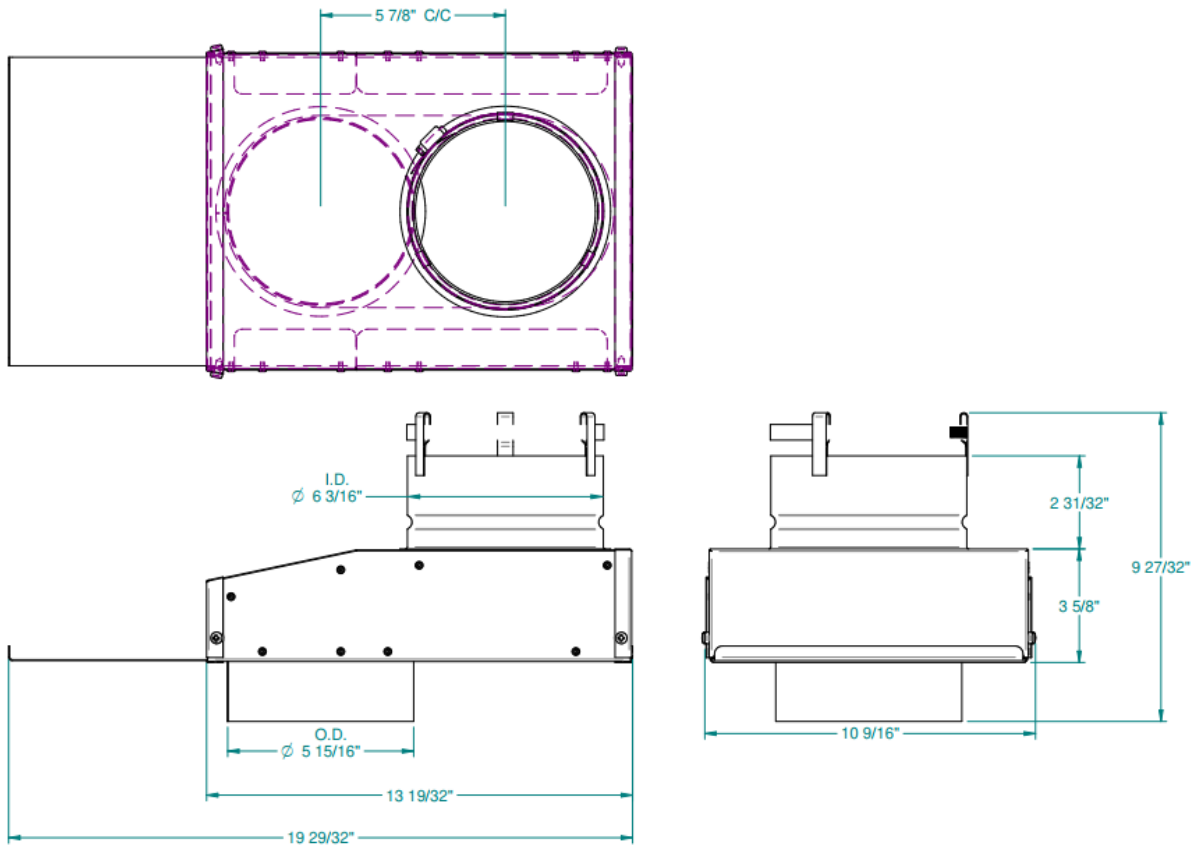


Powered driver
(with a Robertson bit)



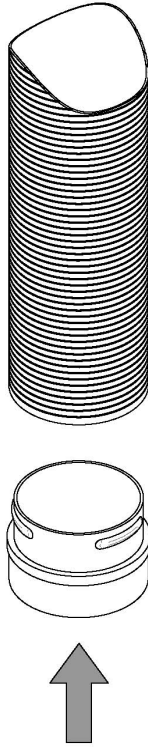
Flat screwdriver

Dimensions of the assembled liner offset adapter



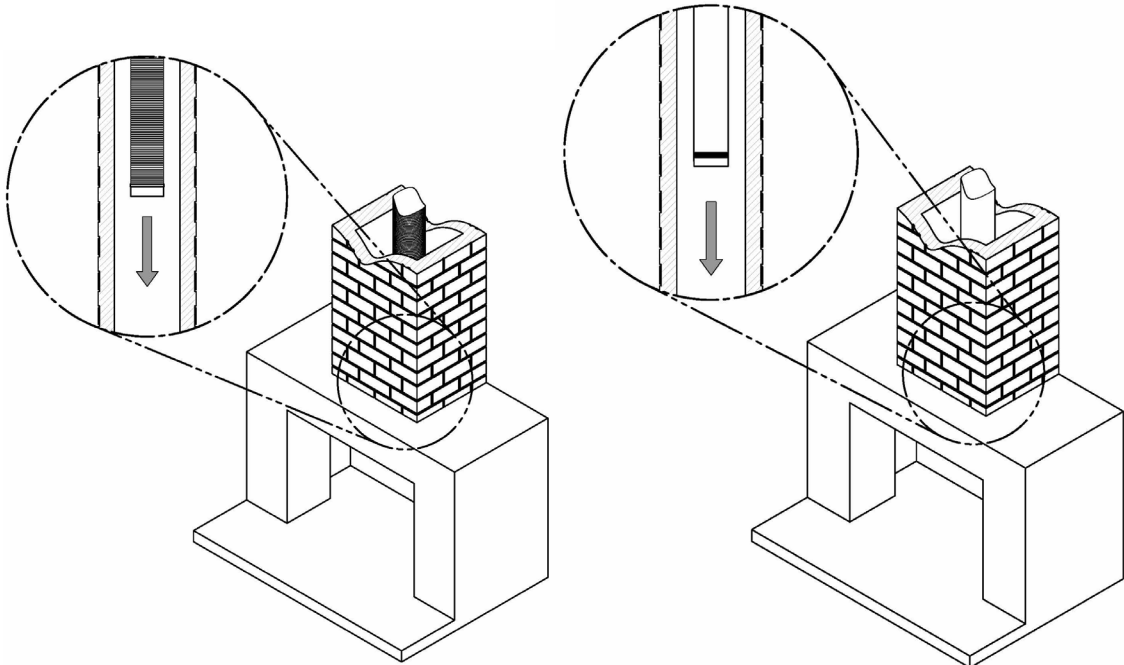
1

If you use a flexible liner, please install a suitable adapter to it.



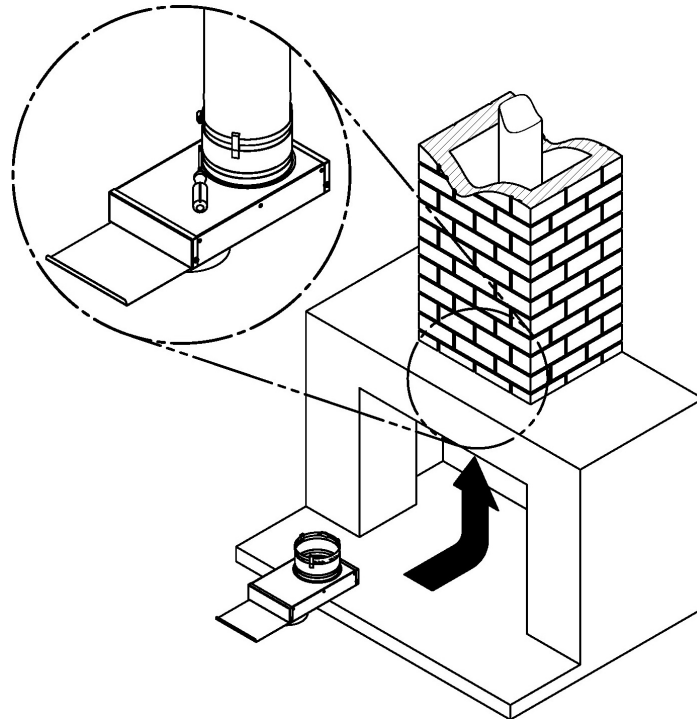
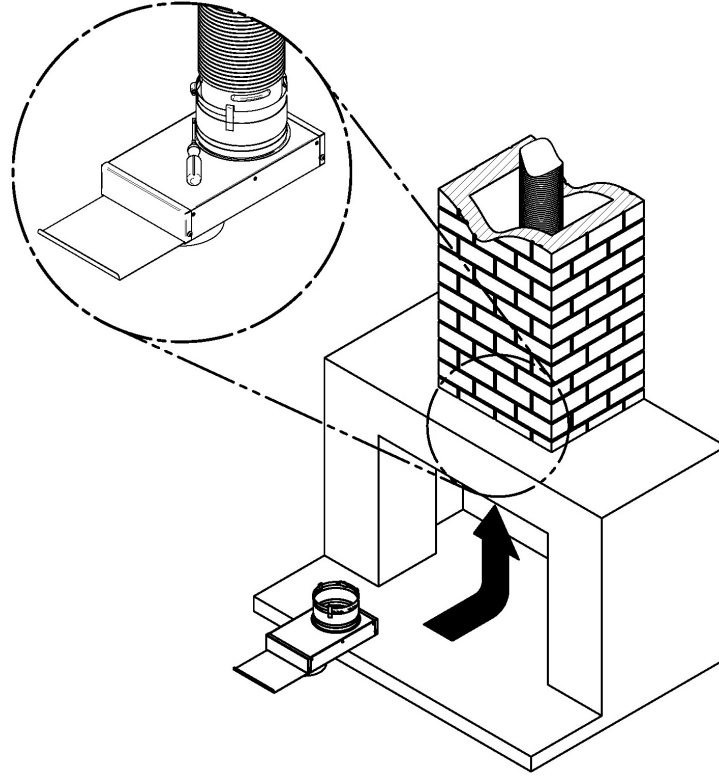
2

Drop the liner along the chimney flue.



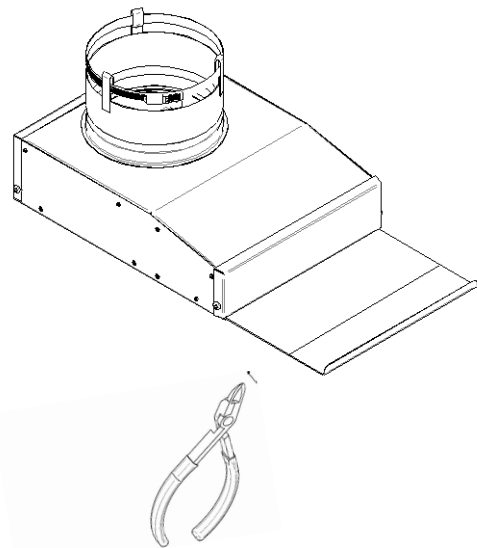
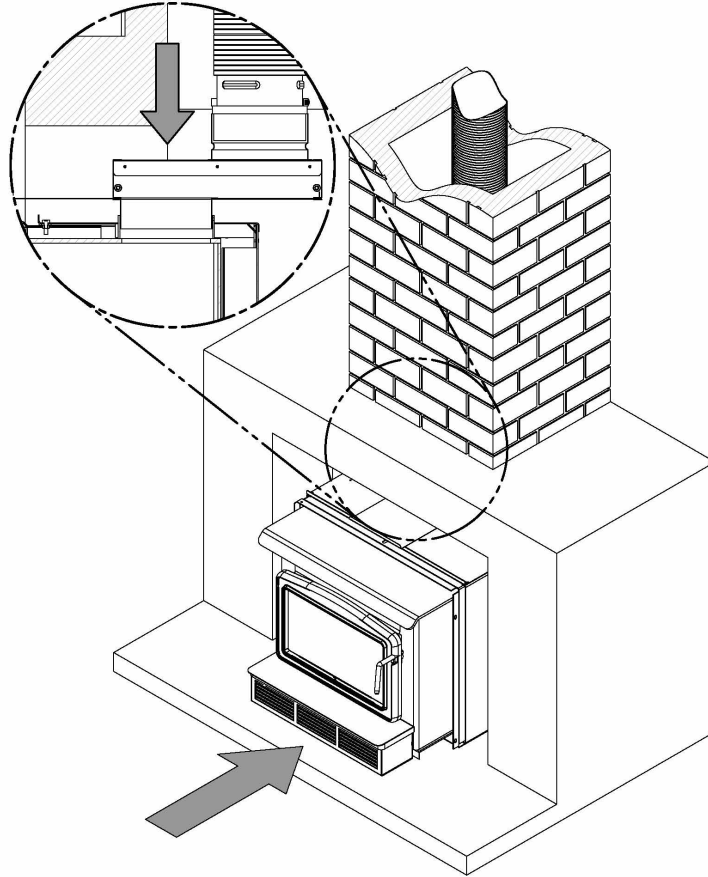
3

Connect the liner on the liner offset adapter using a flat screwdriver. To do so, secure the liner offset adapter using the clamping ring on the liner offset adapter.



4

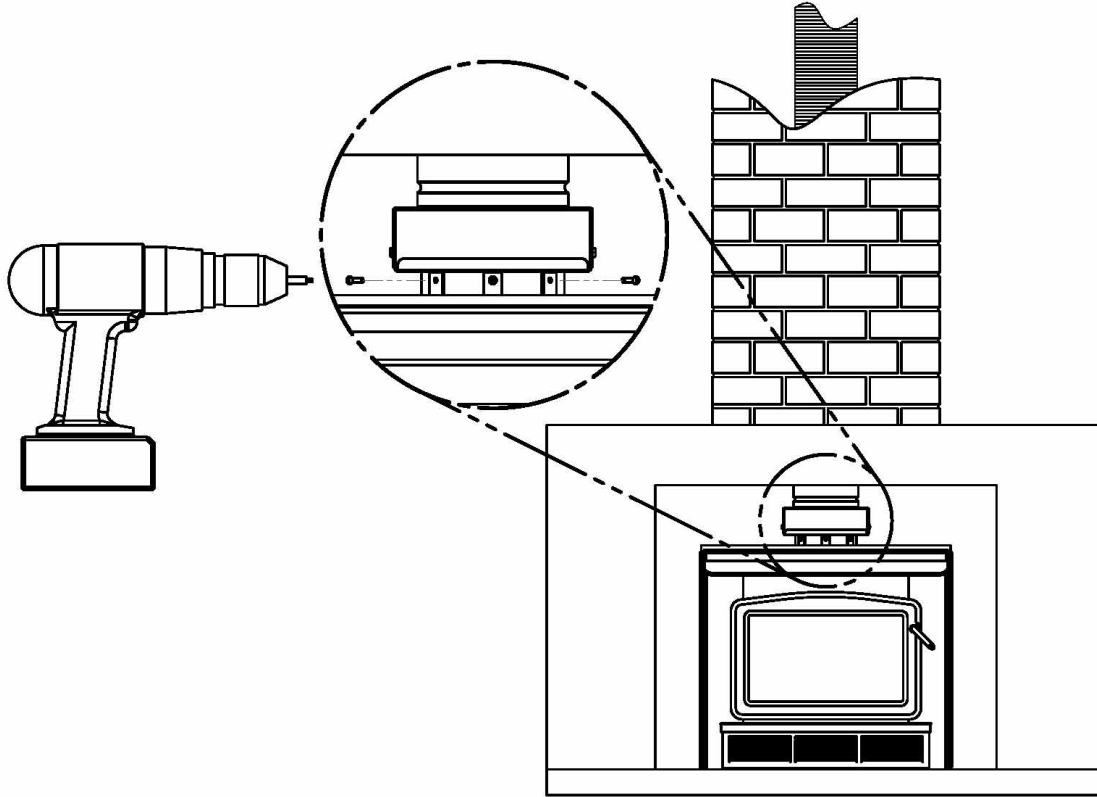
Install the insert into the masonry hearth and connect the liner offset adapter to the unit.



Note: you may cut the excess of material in front of the liner offset adapter (as shown besides) if it interferes with installation of the faceplate.

5

Secure the liner offset adapter to the unit using 3 self-tapping screws (not included).



CLEANING THE LINER OFFSET ADAPTER:

WARNING

It is important to keep this adapter free from any build up or restriction. Failure in doing so may result in improper draft, smoke spillage, creosote build up and risk of a chimney fire. Inspect and clean chimney frequently – Under certain conditions of use, creosote buildup may occur rapidly.

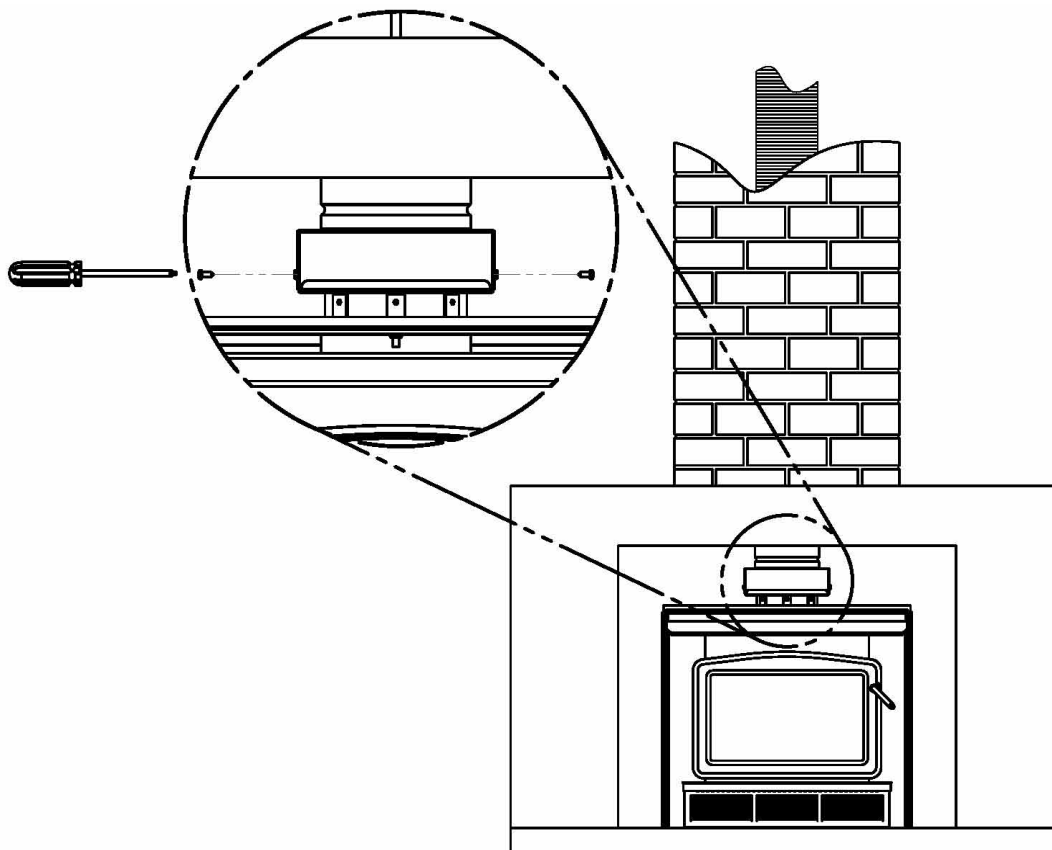
Once you have your chimney swept, you should clean the inside of the liner offset adapter following these steps:

1

Remove any decorative element on the front of your heating appliance, such as faceplate, to access the liner offset adapter.

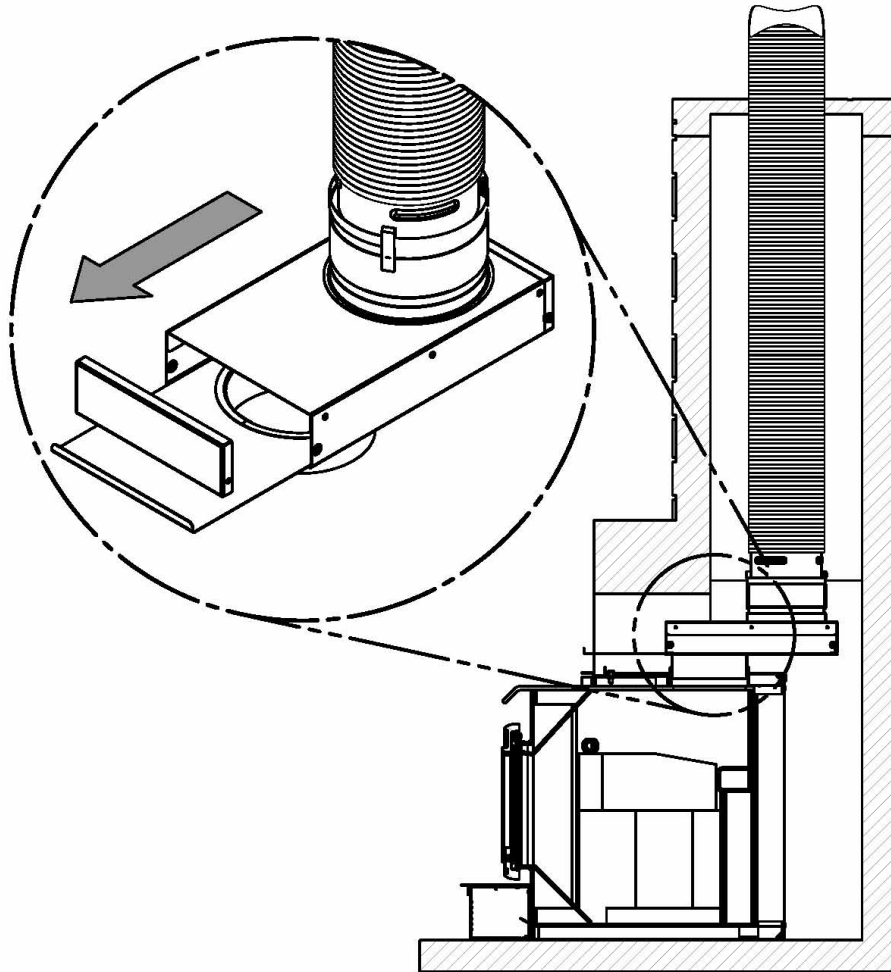
2

Remove the screws on each side of the cover using a Robertson screwdriver.



3

Remove the cover and proceed to clean the inside of the adapter.



4

Once cleaning is completed, close the cover and reinstall the 2 screws on each side of the cover using the Robertson screwdriver.

5

Finally, install all decorative elements removed in step 1.

Notes

STOVE BUILDER INTERNATIONAL INC.
250, de Copenhague, Saint-Augustin-de-Desmaures
(Quebec), Canada G3A 2H3
Tel : (418) 878-3040
Fax : (418) 878-3001