

Maintenance Euromax

Warning codes and reset



13

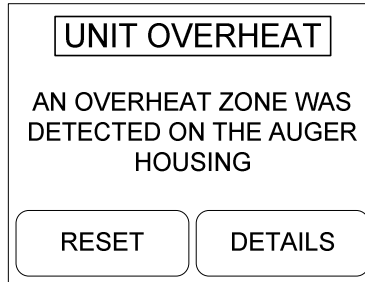
ATTENTION



Before resetting your electronic card that displays an error code.



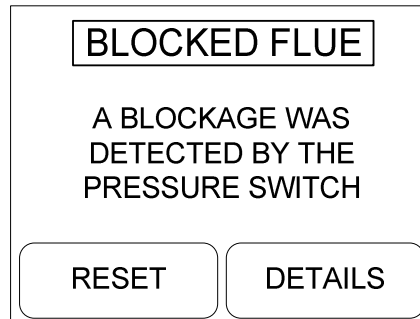
OVERHEAT MESSAGE



- **Service the stove *COMPLETELY* as described in this manual.**
- **check the chimney pipe.**



BLOCKED FLUE MESSAGE



- **Service the stove *COMPLETELY* as described in this manual.**
- **Check the chimney pipe.**
- **Check that the Pressure switch pipe is not blocked.**

THIS STOVE IS EQUIPPED WITH MULTIPLE SECURITY DEVICES TO ENSURE YOUR SAFETY. HOWEVER IF A WARNING ERROR CODE STOPS YOUR STOVE ON SEVERAL OCCASIONS, THERE ARE GREAT CHANCES THAT THE STOVE DOES NOT EXHAUST PROPELY. YOU HAVE THE RESPONSIBILITY TO MAKE SURE THAT THE MAINTENANCE OF THE STOVE IS DONE AS DESCRIBED IN THIS DOCUMENT.

 **UNPLUG THE STOVE BEFORE DOING THE MAINTENANCE** 

Maintenance Euromax

MINIMUM RECOMMENDED MAINTENANCE SCHEDULE

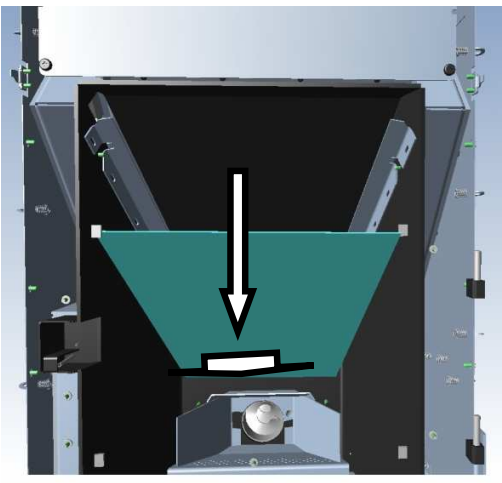
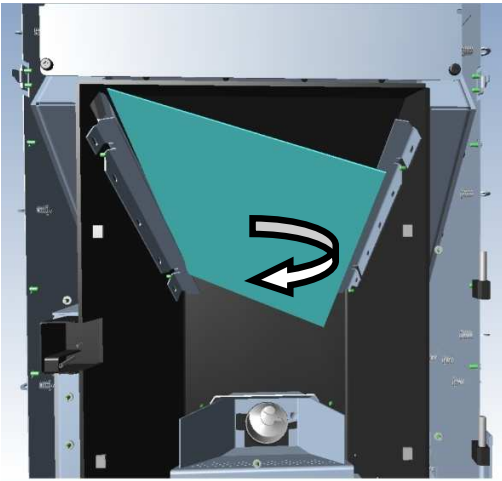
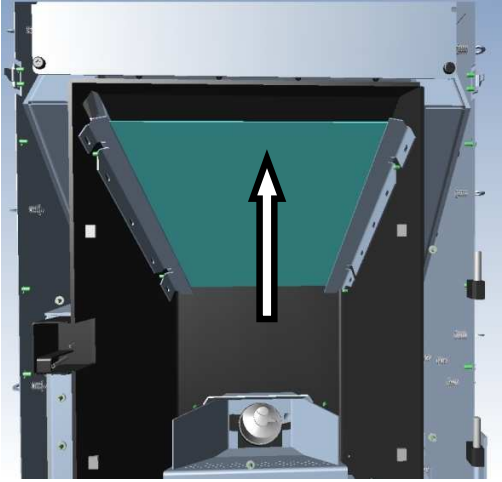
Components	Weekly or after +/- 500 pounds	Twice a year or after +/- 2 tons	Annually or per 4 tons of pellets
Baffle	Vacuum		
Bottom air wash inlet	Vacuum		
Burn Pot	Brush and Vacuum		
Glass	Clean		
Ash Drawer	Empty / Vacuum		
Combustion Chamber	Vacuum	Vacuum and Brush	
Heat Exchanger Tubes		Scrape and Vacuum	
Exhaust Channels (through access traps)		Vacuum	
Exhaust Blower		Vacuum	
Combustion Blower		Vacuum	
Pressure Switch Tube		Clean	
Venting System		Inspect and Sweep	Sweep and Clean
Gaskets		Inspect	
Hopper			Empty and Vacuum

The maintenance schedule varies with quantity of pellet used.

The user must be able to evaluate the frequency of maintenance depending on the dirt level on the burn pot. A burn pot that is dirty will reduce the efficiency of the stove and may cause problems.

Maintenance Euromax

Removing the baffle.

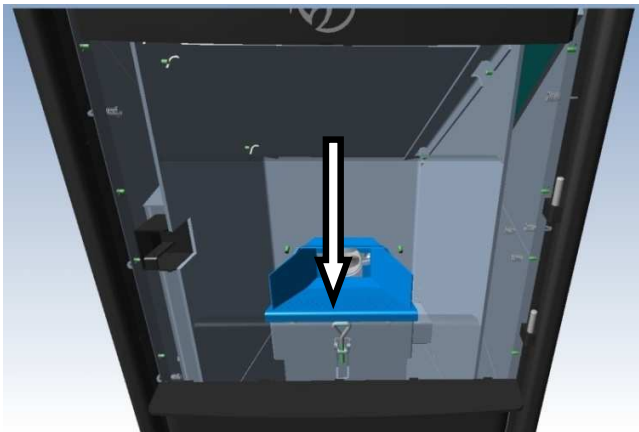


To remove the baffle:

1. Lift the deflector
2. Rotate the baffle to clear the support
3. Lower the baffle.
4. Remove the baffle from the stove.

Maintenance Euromax

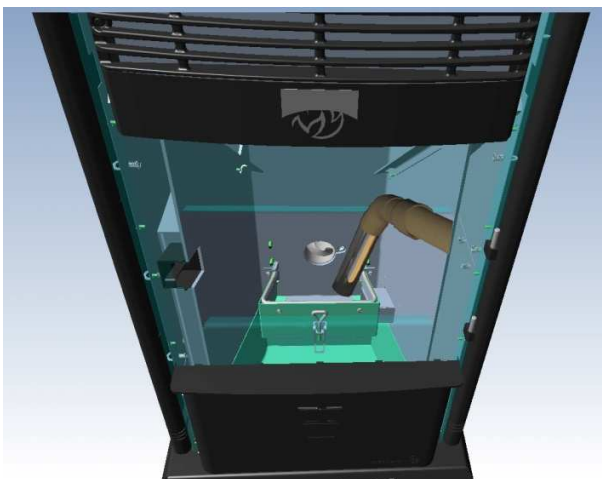
Removing the burn pot.



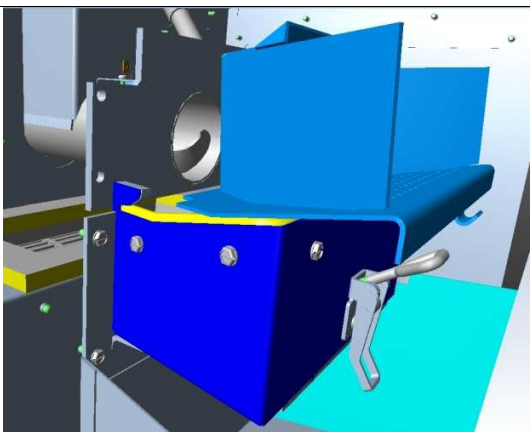
Using a scraper and a wire brush, thoroughly clean the surface of the burn pot. It is very important to leave no residue on the surface of the burn pot.

Note: The sand and dirt contained in the wood pellets does not burn and solidifies to form a stone on the surface of the burn pot. This stone is commonly called (clinker) in the pellet stove industry.

If the (clinker) is not removed the combustion air holes are blocked or reduced and this will also reduce the efficiency of the stove and increases the formation of (clinker) until the combustion becomes almost impossible.



Once the burn pot is thoroughly cleaned. Remove the burn pot and vacuum the burn pot receptacle.



It is very important that the burn pot is correctly installed on the burn pot receptacle.

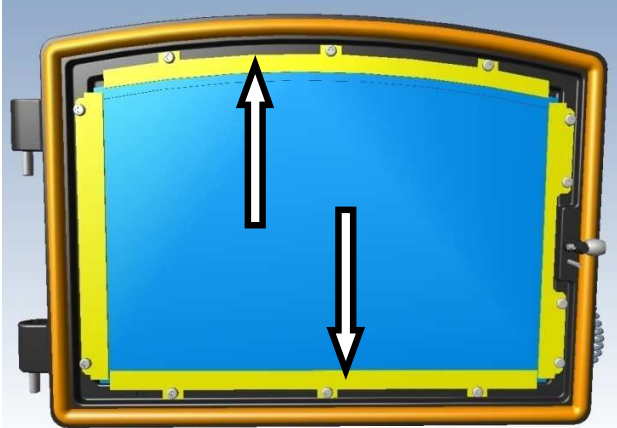
The burn pot should be fully inserted towards the back under the guides to prevent the pellets from falling behind the burn pot and causing an overheat situation.

**RECOMMENDED MAINTENANCE
WEEKLY
EMPTY AND SCRAPE**



Maintenance Euromax

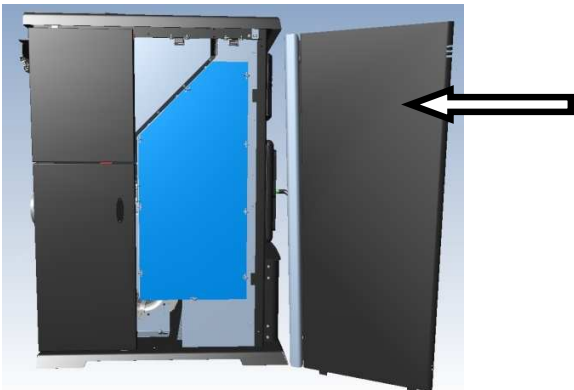
Cleaning the glass retainers.



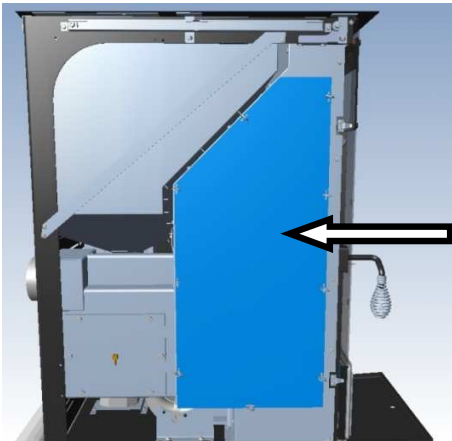
To keep the glass as clean as possible. It is important to vacuum the glass retainers to keep the airwash free of ash accumulation

**RECOMMENDED MAINTENANCE
WEEKLY**

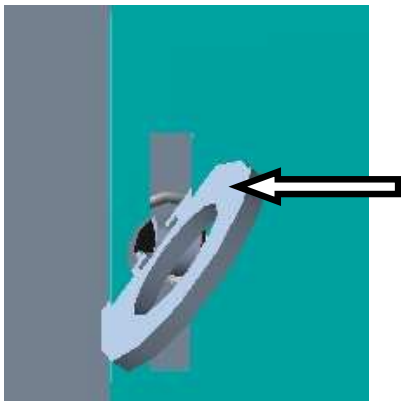
Cleaning the heat exchangers.



To access the heat exchangers. Remove the panel located on the left side of the pellet stove.

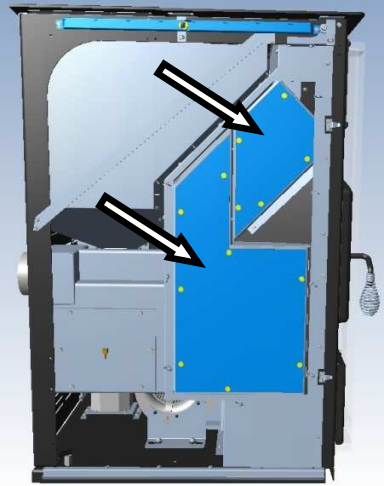


Lift and turn the 9 spring clips and remove the panel.

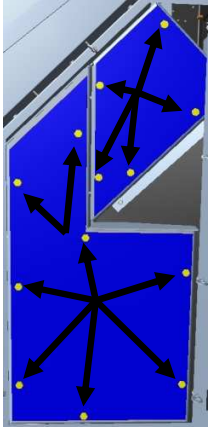


Maintenance Euromax

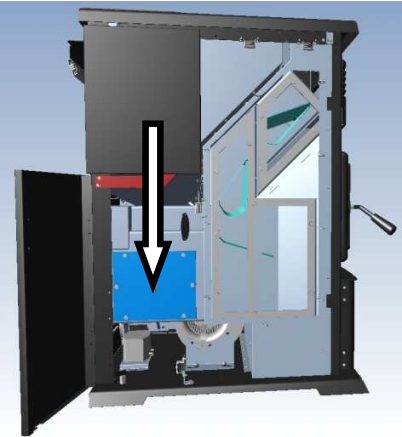
Removing the heat exchangers cover.



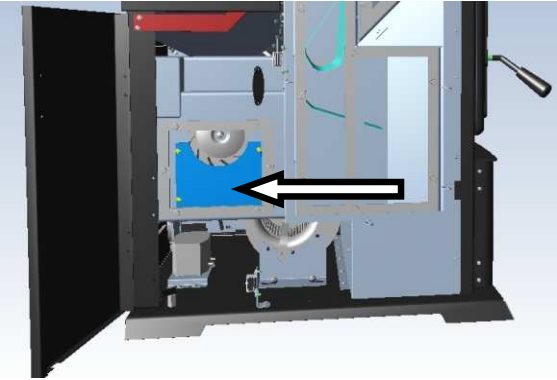
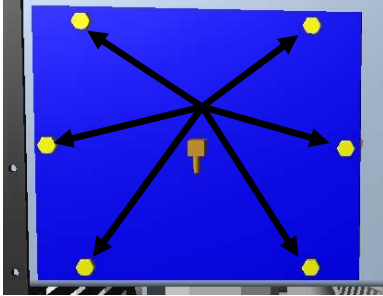
Unbolt the 13bolts and remove the 2 plates covering the exchangers.



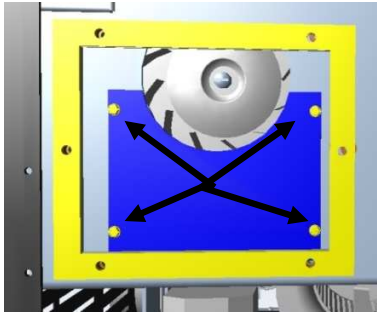
Removing the exhaust fan cover.



To access the exhaust fan unbolt the 6 bolts and remove the top plate.

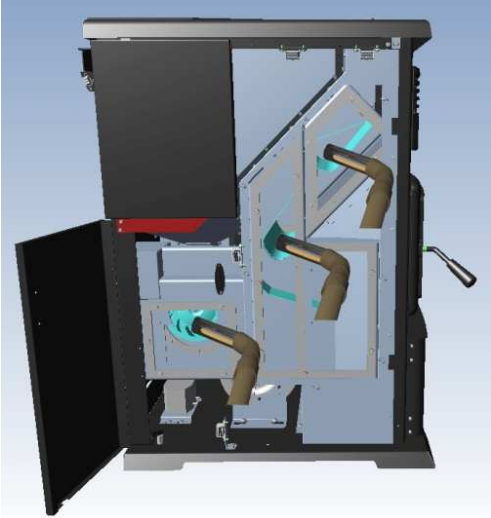


Unbolt the 4 bolts of the inner plate.



Maintenance Euromax

Vacuum the ash inside the heat exchangers and exhaust fan.



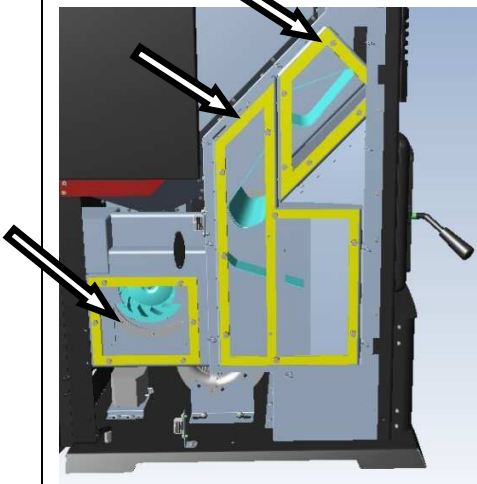
Vacuum the ashes inside the heat exchangers openings and vacuum the ash inside the exhaust fan.

Be careful not to hit or push the fan causing the imbalance of the fan

RECOMMENDED MAINTENANCE

**2 TIMES PER SEASON
OR AFTER
1.5 TONS OF PELLETS**

Replacing the gaskets.



**It is very important to ensure that the gaskets are in good condition.
If the gaskets are damaged they must be replaced before using the stove.**

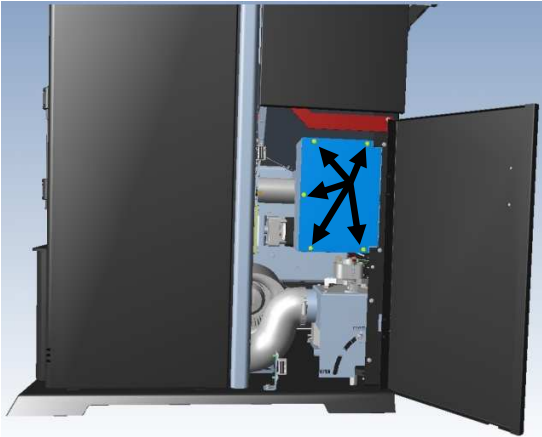
Maintenance Euromax

Clean the pressure switch tube.

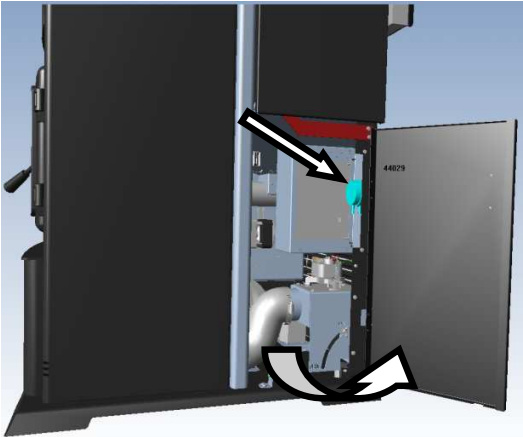


To access the pressure sensor.

Open the access panel on the right side of the pellet stove.



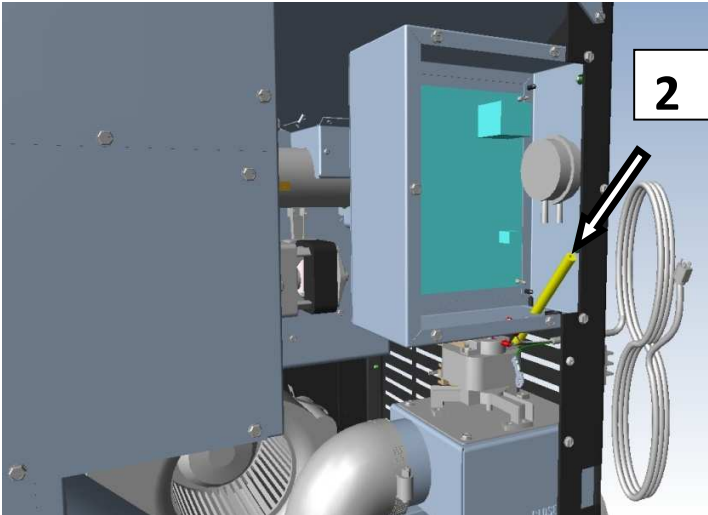
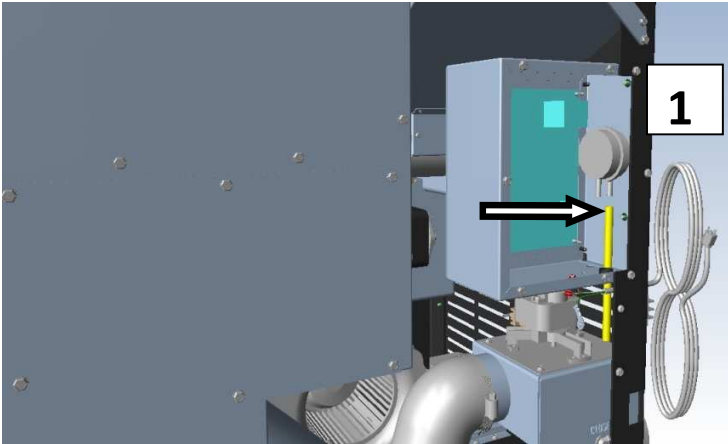
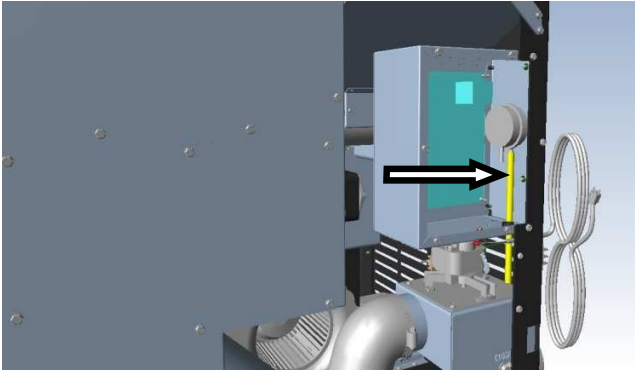
Unbolts the 5 bolts to remove the PC-board housing cover.



The pressure sensor is located inside the PC-board housing.

Maintenance Euromax

Clean the pressure sensor tube.



- 1. Remove the tube from the pressure sensor.
- 2. Blow into the tube and ensure that the air passes freely.

Reinstall the tube on the pressure sensor taking care to connect the tube to the **WHITE** side of the sensor.



RECOMMENDED MAINTENANCE

**2 TIMES PER SEASON
OR AFTER
1.5 TONS OF PELLETS**

Maintenance Euromax

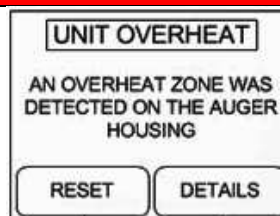
THIS PELLET STOVE IS EQUIPPED WITH MULTIPLE SECURITY DEVICES TO ENSURE YOUR SAFETY. HOWEVER IF A WARNING ERROR CODE STOPS YOUR STOVE ON SEVERAL OCCASIONS, IT IS VERY LIKELY TO BE THAT THE STOVE DOES NOT EXHAUST PROPELY. YOU HAVE THE RESPONSIBILITY TO MAKE SURE THAT THE MAINTENANCE OF THE STOVE IS DONE AS DESCRIBED IN THIS DOCUMENT.



Before resetting the PC-board that displays an error code. Do FULL stove maintenance as described in this manual.

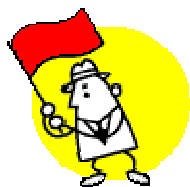
TO RESET AN OVER HEAT CODE

OVERHEAT CODE



PRESS ON RESET

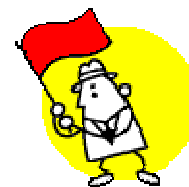
After 3 attempts, this reset is no longer possible



CAUTION

Error Code H after 3 reset **AFTER 3 OVERHEAT MESSAGE**

IF THE STOVE WAS RESET FOR 3 TIMES. THERE ARE GREAT CHANCES THAT THE STOVE DOES NOT EXHAUST PROPERLY. TO REDUCE THE RISK OF FIRE OR SMOKE DAMAGE IT IS VERY IMPORTANT TO PERFORM MAINTENANCE ON THE STOVE.



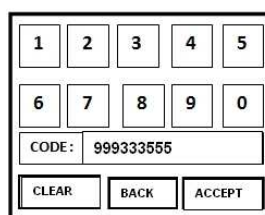
CAUTION

ONLY AFTER THE MAINTENANCE IS PERFORMED

After 3 attempts press reset and then enters the following codes.



999-333-555



PRESS ACCEPT.

TO RESET ALL OTHER CODES

<p>BLOCKED FLUE</p> <p>A BLOCKAGE WAS DETECTED BY THE PRESSURE SWITCH</p> <p>RESET DETAILS</p>	<p>NO FUEL</p> <p>THE EXHAUST TEMPERATURE INDICATES THAT THERE IS NO FIRE IN THE BURN POT</p> <p>RESET DETAILS</p>	<p>PRESS ON RESET BUTTON</p> <p>RESET</p>
<p>FAILED IGNITION</p> <p>THE EXHAUST TEMPERATURE HAS NOT REACHED ITS START-UP VALUE AFTER TWO IGNITION ATTEMPS</p> <p>RESET DETAILS</p>	<p>IGNITER FUSE</p> <p>THE IGNITER FUSE BLEW UP</p> <p>RESET DETAILS</p>	
<p>AUGER FUSE</p> <p>THE AUGER FUSE BLEW UP</p> <p>RESET DETAILS</p>	<p>HOPPER LID OPEN</p> <p>THE HOPPER LID HAS REMAINED OPEN FOR MORE THAN 3 MINUTES</p> <p>RESET DETAILS</p>	
<p>POWER LOSS</p> <p>POWER WAS INTERRUPTED WHILE BURNING</p> <p>RESET</p>		

SMOKE SMELL OR SOOT BUILD:

Because it is a solid fuel appliance, your stove may emit odors of burnt wood. If these odors reach an abnormal level or soot accumulates on the walls and furniture, check your exhaust to detect leakage. All joints should be in good condition and sealed. Clean your stove following the instructions in this manual. Contact your dealer if the problem persists.