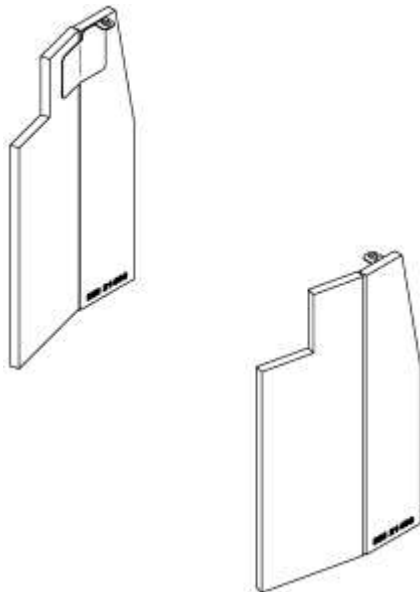




SIDE CLEARANCE REDUCTION KIT FOR CAMBRIDGE PELLET STOVE

AC02733

INSTALLATION INSTRUCTIONS



Safety tested according to
ULC S632 and UL 1618 by
an accredited laboratory

Fabricant de poêles international Inc.
250, rue de Copenhague
Saint-Augustin-de-Desmaures Québec, Canada G3A 2H3



This manual is available for free download on the manufacturer's web site. It is a copyrighted document. Re-sale is strictly prohibited. The manufacturer may update this manual from time to time and cannot be responsible for problems, injuries, or damages arising out of the use of information contained in any manual obtained from unauthorized sources.



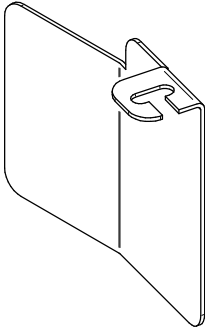
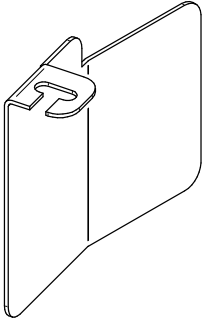
1. APPLICATION

This side clearance reduction kit, made of C-Cast, reduces clearances between the Cambridge pellet stove and adjacent vertical combustible materials from 17" to 8".

WARNING

- THIS SIDE CLEARANCE REDUCTION KIT CANNOT BE USE ON A APPLIANCE OTHER THAN THE CAMBRIDGE.
- ALWAYS REFER TO THE MANUFACTURER'S INSTALLATION INSTRUCTIONS TO KNOW THE CLEARANCES TO COMBUSTIBLES MATERIAL AND THE RECOMMENDED CLEARANCES FOR MAINTENANCE.

2. KIT CONTENTS

| | |
|--|---|
| <p>2X</p>  <p><i>Rear panel</i></p> | <p>2X</p>  <p><i>Front panel</i></p> |
| <p>1X</p>  <p><i>Left support bracket</i></p> | <p>1X</p>  <p><i>Right support bracket</i></p> |

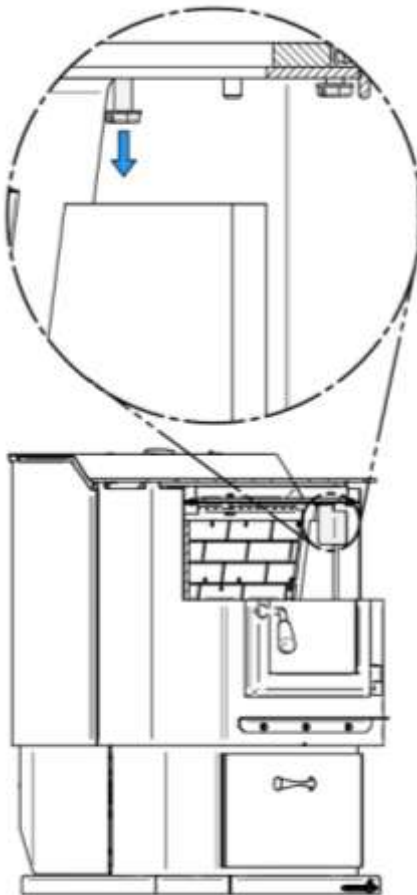
3. NECESSARY TOOLS



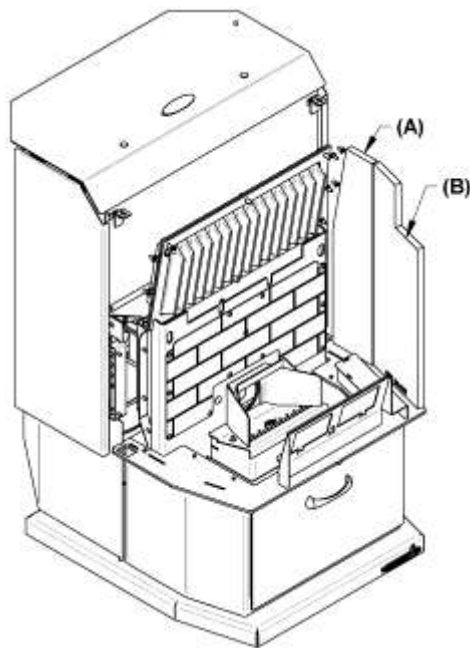
4. INSTALLATION

Step 1. Open the door and clean inside the stove, if necessary. Refer to the Operation manual for cleaning instructions.

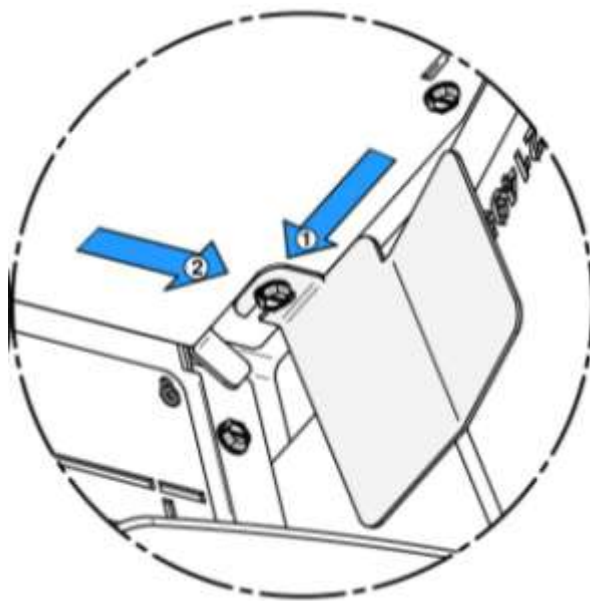
Step 2. Remove the screw on the right, at the back of the stove, about 2 turns. **Do not unscrew it completely.**



Step 3. Insert the rear panel into the stove **(A)**, the angle side towards the back of the combustion chamber. Make sure the angle cut is firmly seated at the back. Insert the front panel **(B)**.



Step 4. Slide the right support bracket in the screw **(1)**. Press firmly the bracket against the panel and screw it in place **(2)**.



Step 5. Repeat steps 2 to 4 to install the panels on the left side of the stove.